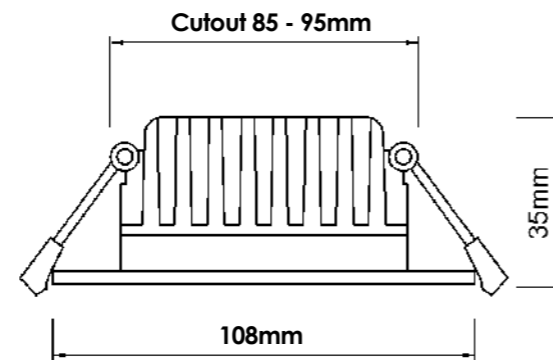


DL49APP DOWNLIGHTS

The DL49APP is designed with a robust aluminium finish. This fitting is suitable for a range of home or commercial lighting applications. DL49APP is controlled by the ECO1 Smart Control App or hand held remote. This downlight has ultra smooth variable colour range adjustment from warm white (3000K) to cool white (6000K) depending on the mood required in the room. This fitting also has a very smooth dimming range from 2% to 100% to give even further flexibility in lighting control.

Product Code	DL49APP
Voltage (V)	AC100-240V 50/60Hz
Wattage (W)	10W
Chip Type	Epistar SMD2835
Lumen (Lm)	900 - 1000
Beam Angle	120°
CRI	>80Ra
Colour temp	infinitely variable from: Warm White(WW) : 3000K to Cool White(CW) : 6000K
Dimming	Dimmable range 2% -100%
Cutout Size	85 - 155 mm with adapter plate
Power Factor (Pf)	>0.85
Certification	CE , ROHS, SAA,IC4 (others available on request)
Warranty	10 Years (extended)



DL49APP Series can be controlled with ECO1 Smart control.



Control everything in your home or office from anywhere

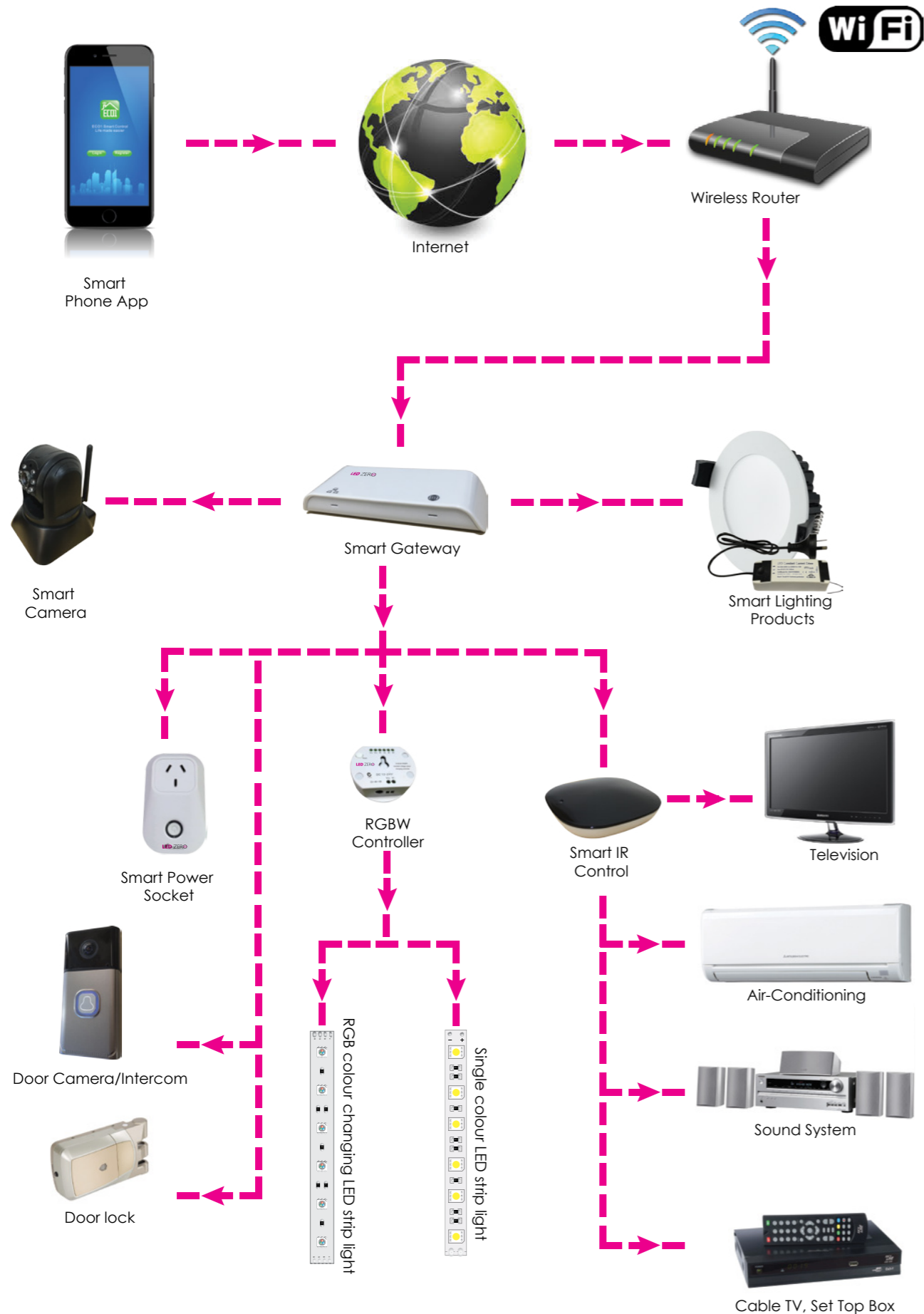


The hand held remote can be used for local wireless control and available for DL49APP

ECO1 SMART CONTROL



ECO1 SMART CONTROL SYSTEM



ECO1 SMART CONTROL SYSTEM

Features

- ECO1 Smart control gives you the ability to control your lighting and other devices locally or from anywhere in the world via the gateway controller.
- With ECO1 Smart control you can adjust the colour temperature of your LED lighting from warm to cool with ease, with a variable light colour control system.
- Ultra smooth dimming range from 2% to 100% creating the perfect mood for every occasion.
- Lights can be setup in groups or individually giving you the ability to set up your lighting to your specific requirements.
- ECO1 Smart Control can also control other devices such as TV, airconditioning, power sockets, intercoms door locks, garden lighting and much more.
- The Scene feature can control your lighting, TV, air-conditioning and other smart devices. With the press of a single button you can set up home scenes, out scenes, party scenes and much more.
- The location function can trigger scenes when you are a preset distance from your home or office automatically.
- ECO1 Smart Control can be used in commercial or home applications to control any electrical device.
- ECO1 Smart Control can now connect with Amazon Alexa and Google Home devices for even more flexibility in controlling your home or office.
- ECO1 Smart Control is easy to use, and simple to setup.



Gateway controller



Gateway controller connection diagram



Eco 1 Smart Control downlight can be connected into any standard wiring system and requires no complex wiring to make it work. Simply plug in and learn into the App or the Smart lighting system can be controlled by the hand held remote or App, and can be up and running within a few minutes.



ECO1 Smart Control App free download control your lighting from anywhere



Optional hand held remote control unit